

FIG.1

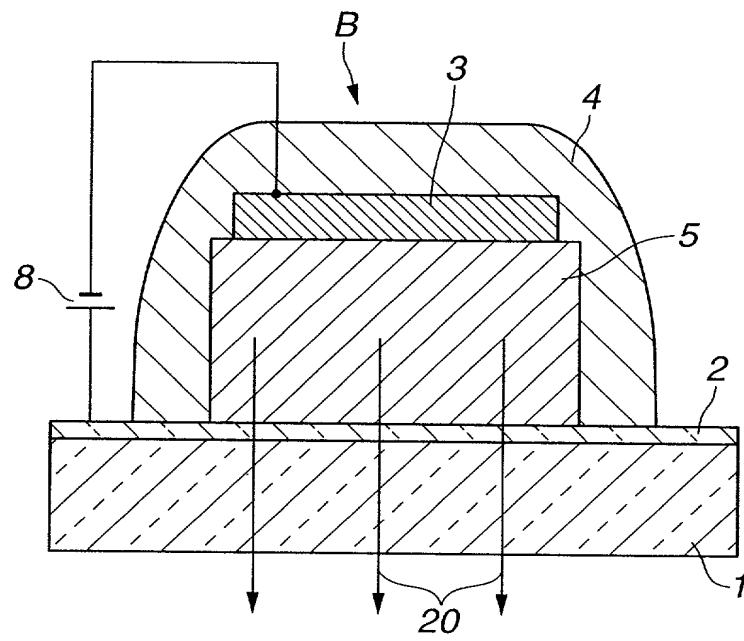


FIG.2

FOR PUBLICATION

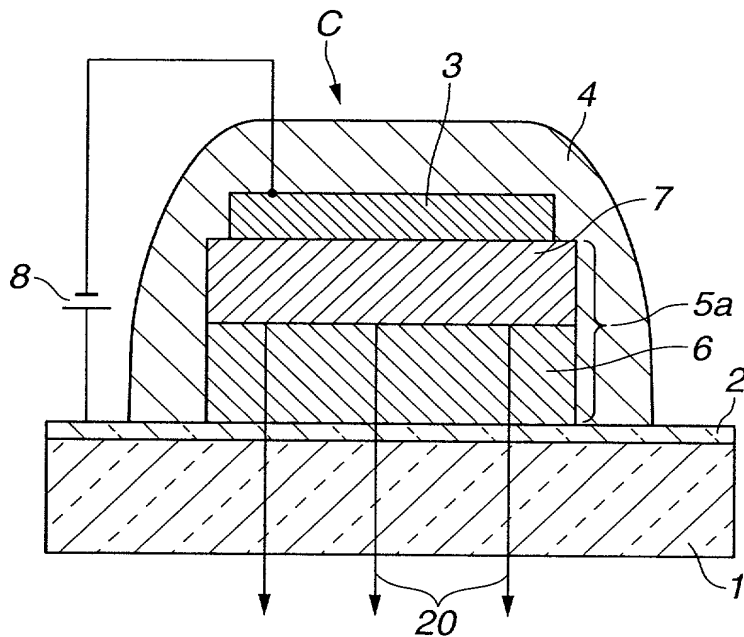


FIG.3

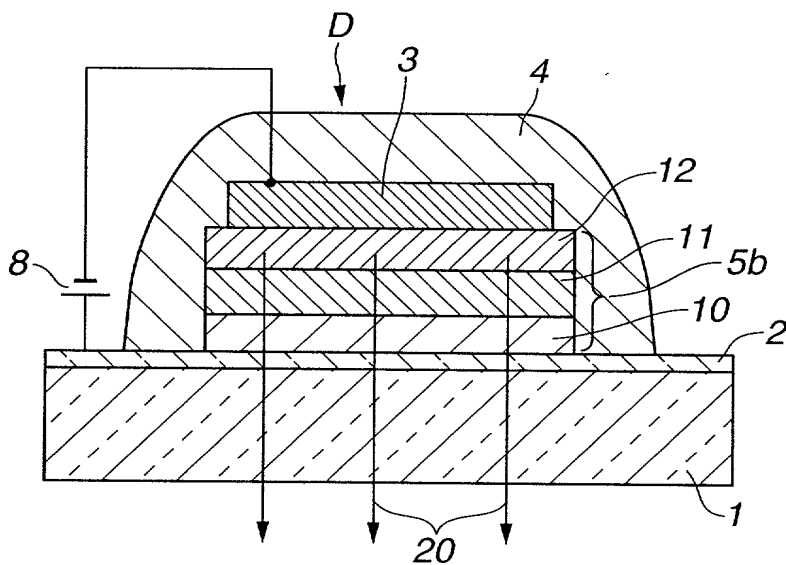


FIG.4

2025 RELEASE UNDER E.O. 14176

3/5

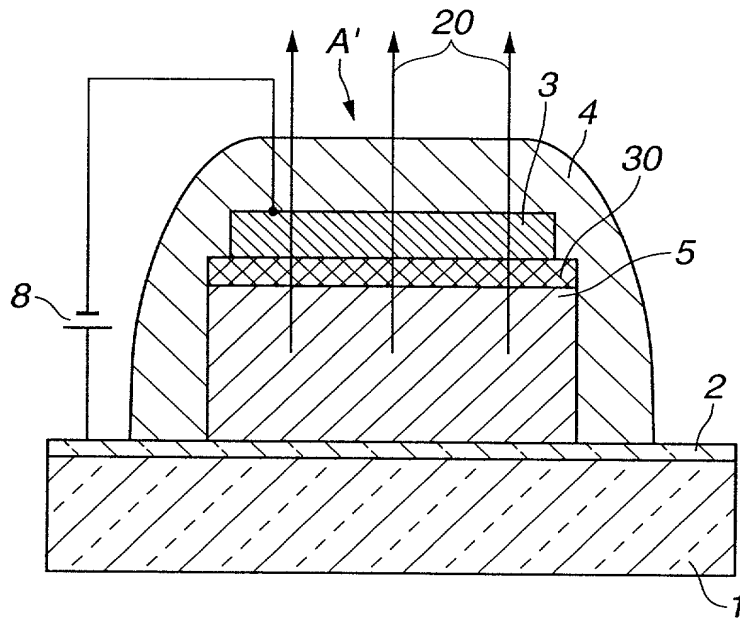


FIG.5

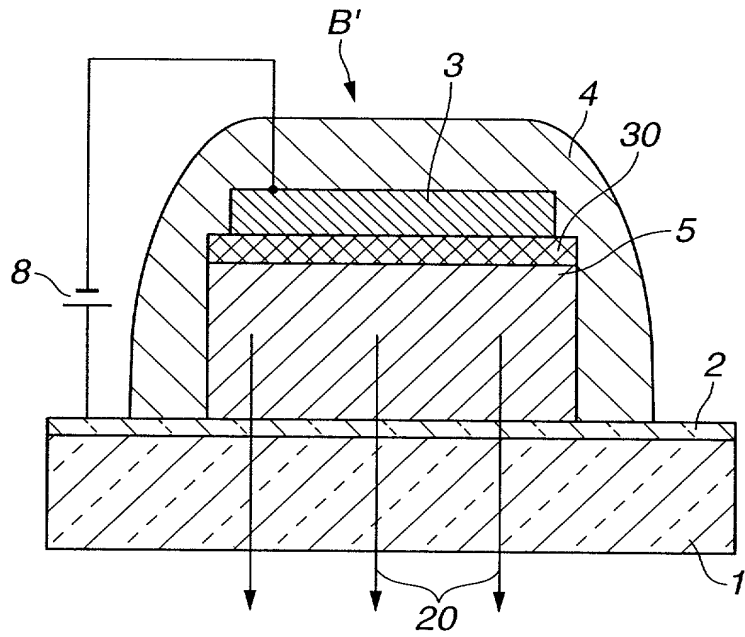


FIG.6

2025 RELEASE UNDER E.O. 14176

4/5

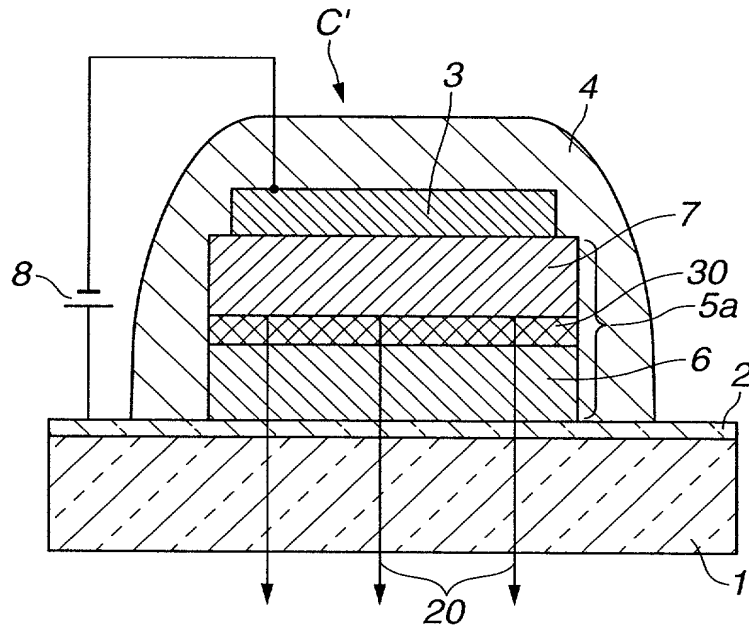


FIG.7

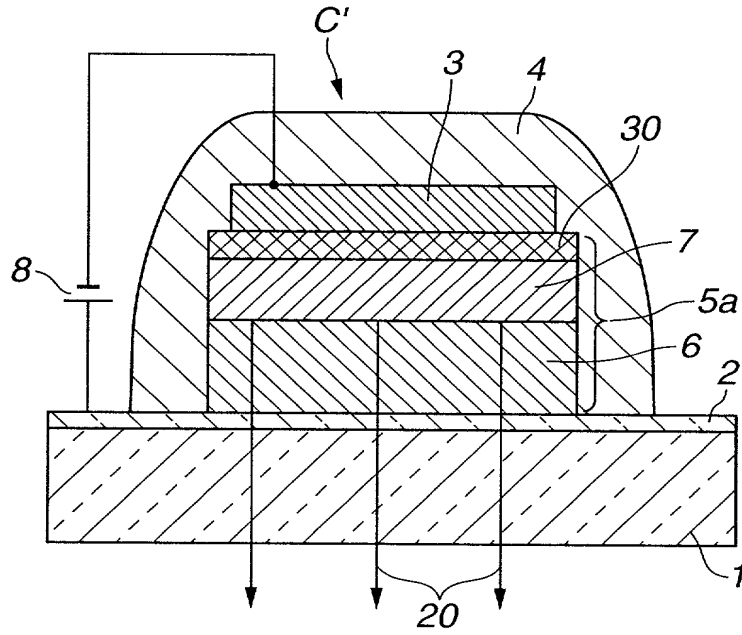


FIG.8

2025 RELEASE UNDER E.O. 14176

5/5

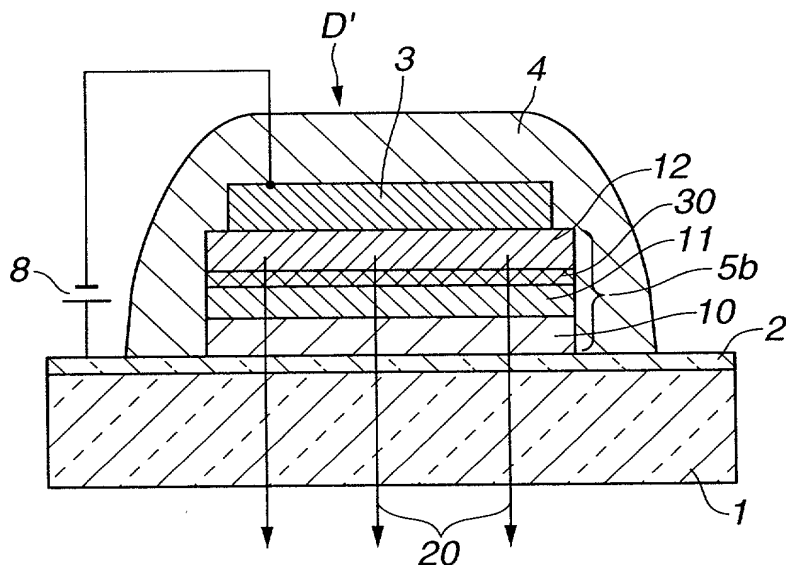


FIG.9

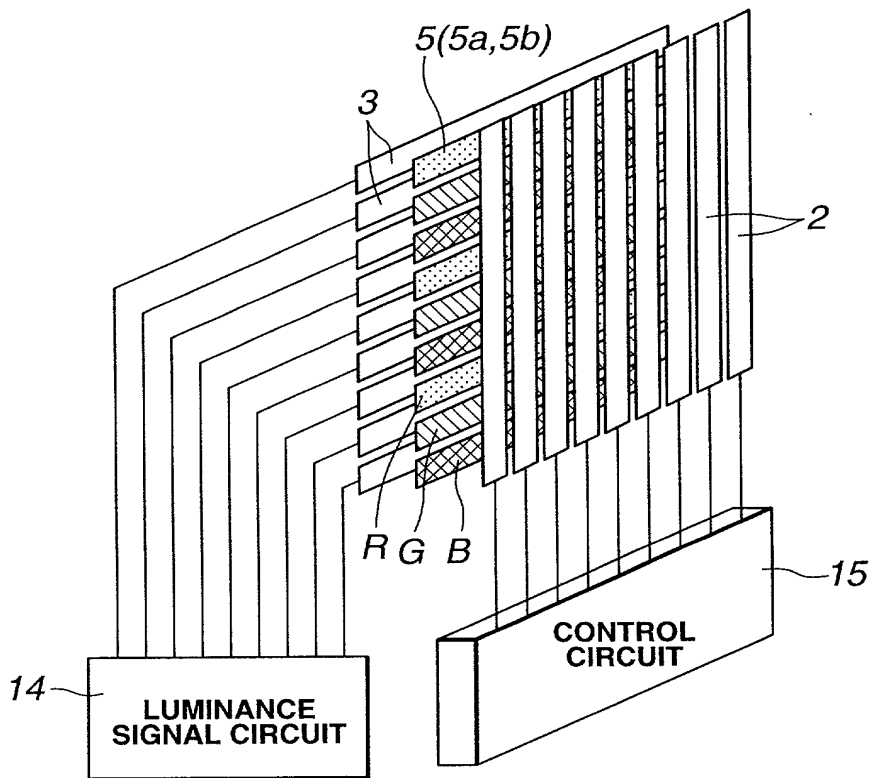


FIG.10